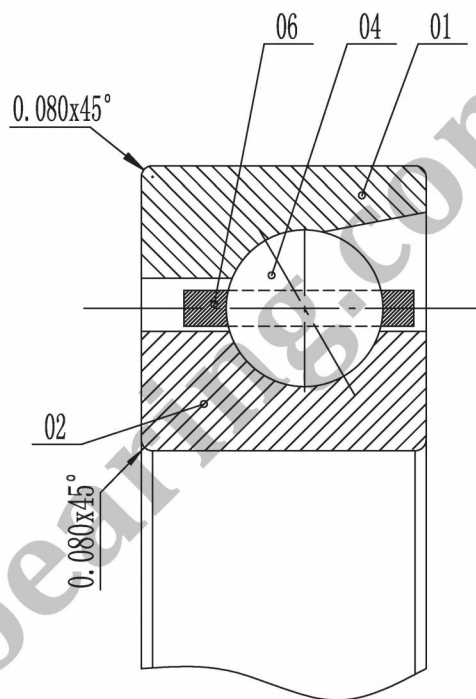


I enlarged view



KAYDON THIN SECTION BEARING

Formal drawing of SF180ARO will be submitted after contact with:

[sales@jcb-bearing.com](mailto:sales@jcb-bearing.com) or [sales@thinsectionbearings.com](mailto:sales@thinsectionbearings.com)

| 06  | cage        |     | Brass                           |   |       |        |
|---|-------------|-----|---------------------------------|---|-------|--------|
| 04  | steel ball  |     | AISI 440C stainless steel balls |   |       |        |
| 02  | inner ring  | 1   | AISI 440C stainless steel balls |   |       |        |
| 01  | outer ring  | 1   | AISI 440C stainless steel balls |   |       |        |
| No.   | designation | qty | material                        | unit                                    | total | remark |
|   |             |     |                                 | weight (lbs)                            |       |        |
| Luoyang JCB Bearing Technology Co., Ltd<br>Contact information<br>Company Address : No.285 Fenghua road, Luoyang, Henan,China.<br>Postal code : 471000<br>Phone : 0086-379-68611678 Fax : 0086-379-68611679<br>E-mail: <a href="mailto:sales@jcb-bearing.com">sales@jcb-bearing.com</a><br>Reserved E-mail: <a href="mailto:sales@thinsectionbearings.com">sales@thinsectionbearings.com</a><br>Website: <a href="http://www.jcb-bearing.com">http://www.jcb-bearing.com</a><br><a href="https://www.thinsectionbearings.com">https://www.thinsectionbearings.com</a> |             |     |                                 | <h1>SF180ARO</h1>                       |       |        |
|   |             |     |                                 | weight(lbs)                             |       |        |
|   |             |     |                                 | 7.67                                    |       | ——     |
|   |             |     |                                 | total page 1                            |       | page 1 |
|   |             |     |                                 | Luoyang JCB Bearing Technology Co., Ltd |       |        |